

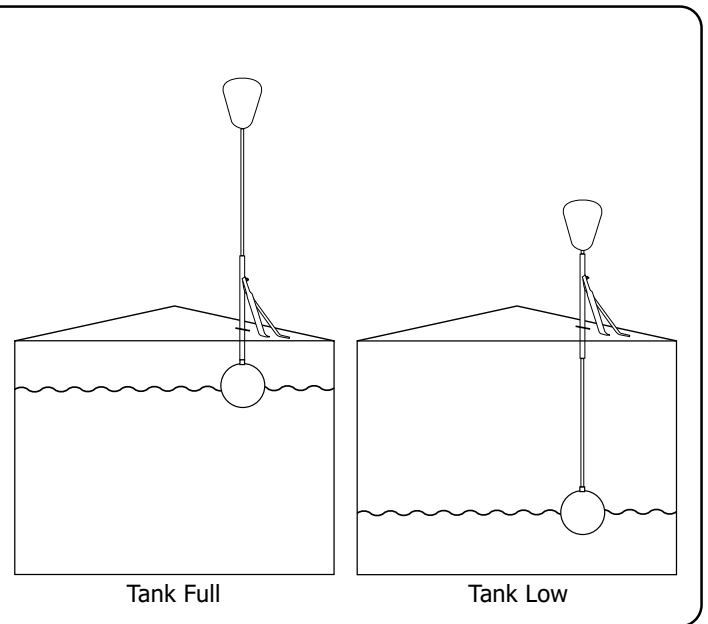
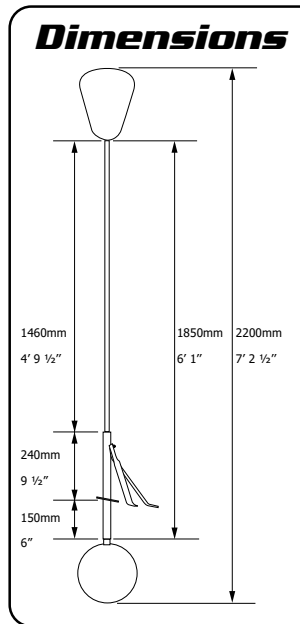
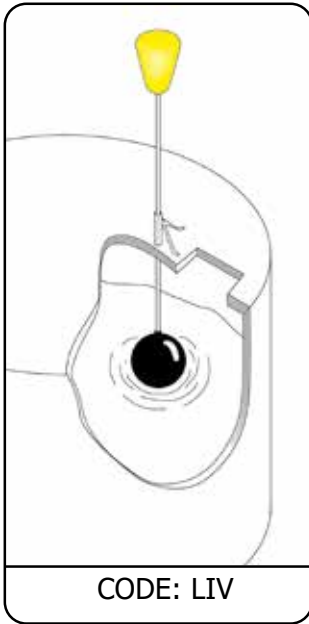
# WATER LEVEL INDICATOR

## PRODUCT INFO



### Description

For use in water reservoirs to show water level at a glance.



### Applications

- Easily fitted to Concrete & Plastic tanks to show water level at a glance

### Features

- Highly visible yellow indicator.
- Double bracing arms on mounting bracket.
- Constructed from stainless steel.
- Long stainless steel shaft screws in half for shipping.

### Installation

- 1 Drill 20mm hole in tank, next to man hole.
- 2 Fit Bracket.
- 3 Mounting to:

Concrete

Dyna Bolt  
Support Arm  
Tank

Plastic

Support Arm  
Washers  
Tank
- 4 Slide in Shaft & Fit ball

ACCESSORIES