

VORTEX PARTFILL

PRODUCT INFO



Intertek
5002993
Conforms to NSF/ANSI STD 372



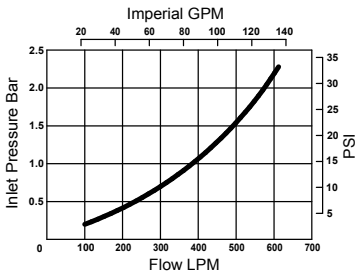
Description

Vortex Part Fill is a high flow valve intended for use in rain water harvesting tanks. The purpose of the float valve is to automatically maintain a low level of water in the tank during periods of no or low rainfall. This allows services fed by the tank to continue while leaving capacity in the tank for refilling by the next rain.

Applications

- Maintaining water levels in:
- Rain water harvesting tanks
 - Water cisterns
 - Irrigation and process applications.

Flow Graph (All Sizes)

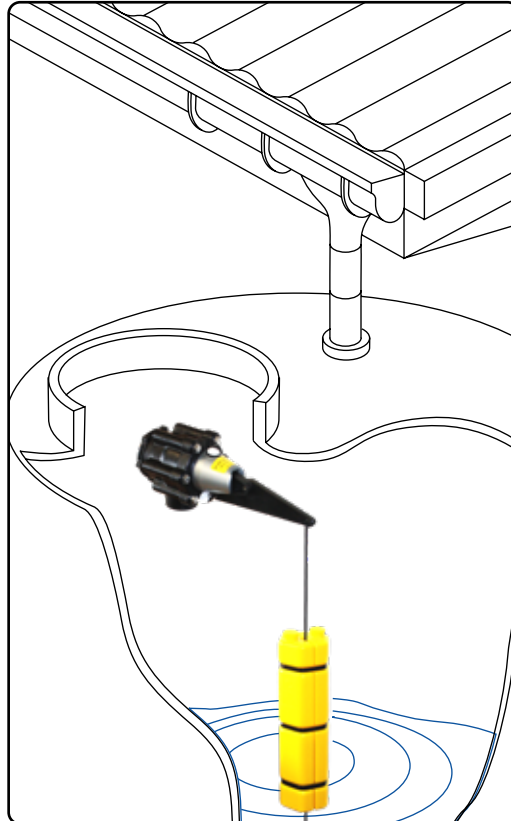


Features

- Ideal for use with all makes and models of rain water harvesting tanks
- Compact
- Constructed from non corroding materials
- Valve can be locked in off position using the lock off switch
- Up to 150mm differential obtainable (dependant on pressure)
- Valve unscrews from tail for easy Valve Access.

Available Inlet Sizes

VXVP32	32mm (1 1/4")
VXVP40	40mm (1 1/2")
VXVP50	50mm (2")
VXVP0125	1 1/4" NPT
VXVP0150	1 1/2" NPT
VXVP0200	2" NPT



Principle of Operation

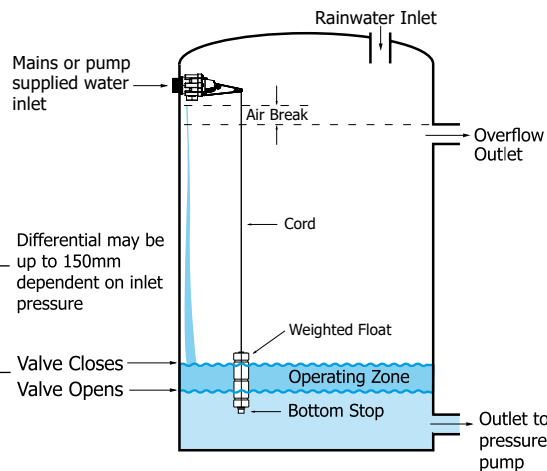
- The Valve is installed through the side wall of a storage tank. It should be mounted above the overflow level of the tank to prevent backflow.
- As the tank empties the weighted float travels down the cord and sits on the bottom stop to activate the valve.
- The valve will run until the weighted float lifts clear of the bottom stop.
- The float will then rise as rainwater fills the tank and falls as the tank water is used.
- The Valve will only function at times when rain fall is insufficient to maintain a water level in the tank above the bottom stop.

Pressure Range

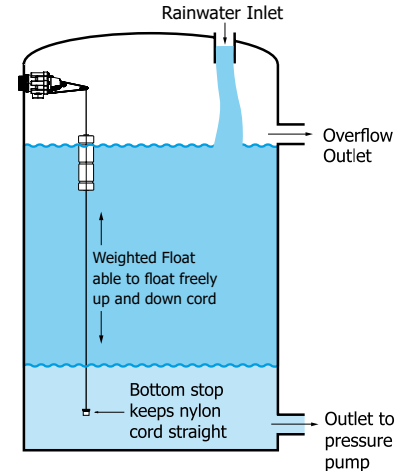
0.3 Bar – 10 Bar (5 psi-150 psi)

Typical Installaton

Vortex Partfill Operating Zone



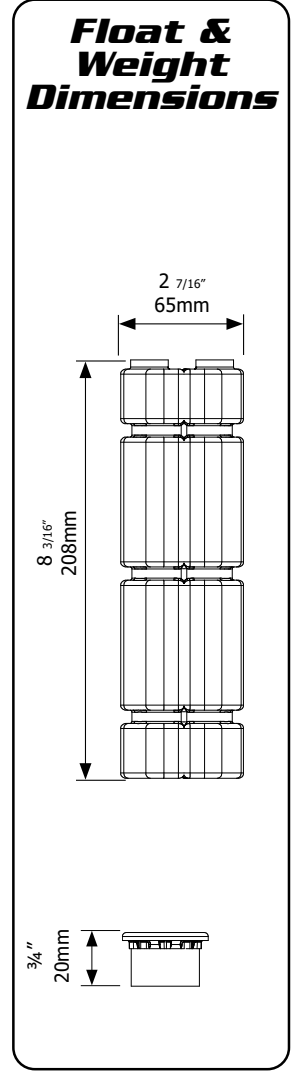
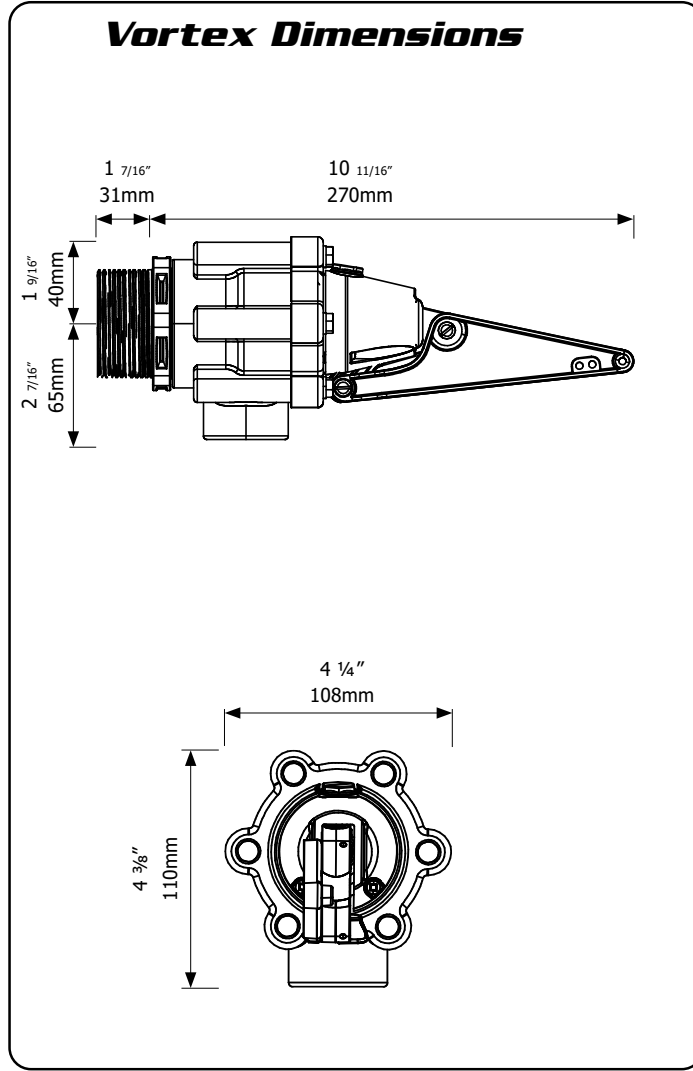
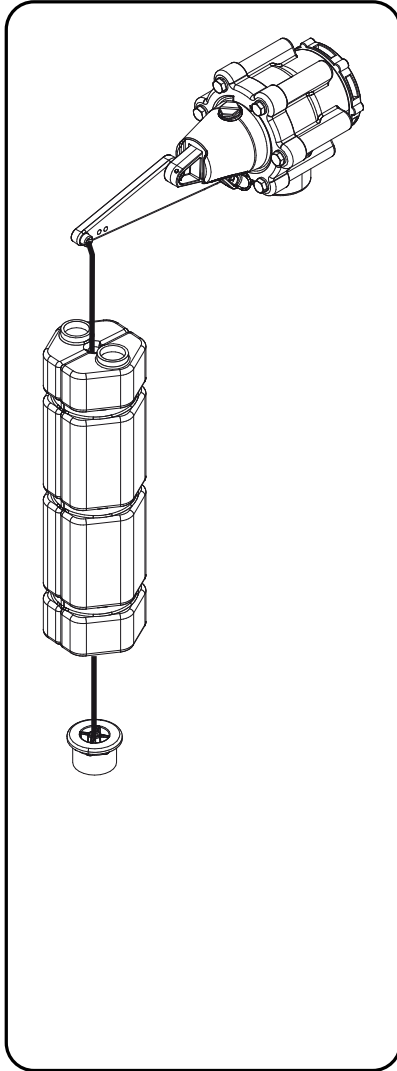
Rain Water Filling Zone



600 L / MIN

VORTEX PARTFILL

DIMENSIONS & MATERIALS

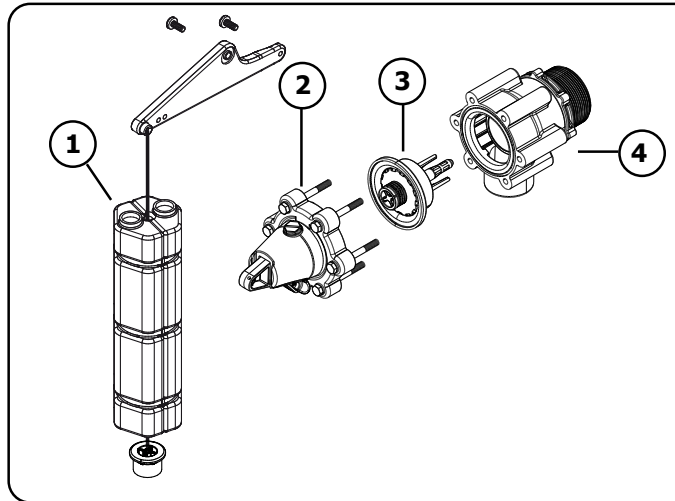
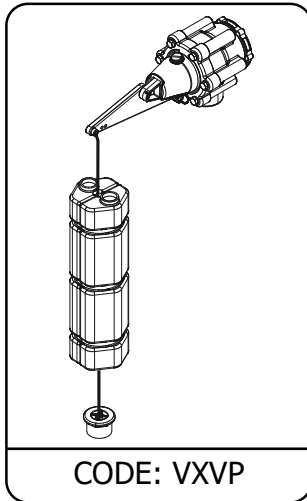


Part	Material	Part	Material
Valve Body	GF Nylon	Seal	TPU
White Internal Parts	Acetal	Springs, Bolts, Nuts, Pin, Screws	304 Stainless Steel
Arm Assembly	ABS	O'Rings	Nitrile
Diaphragm	EPDM	Float	HDPE

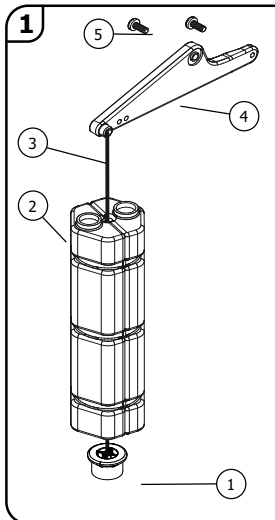
Maximum Operating Temperature **60°C, 140°F**

VORTEX PARTFILL

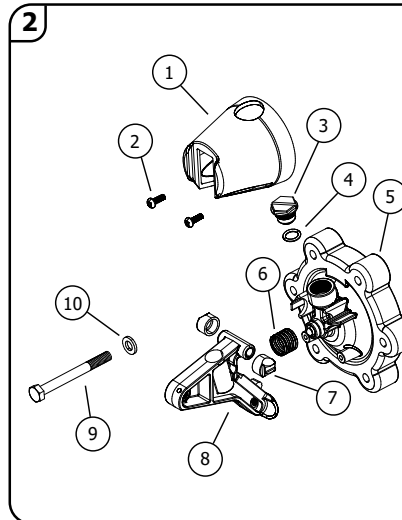
PARTS IDENTIFICATION SHEET



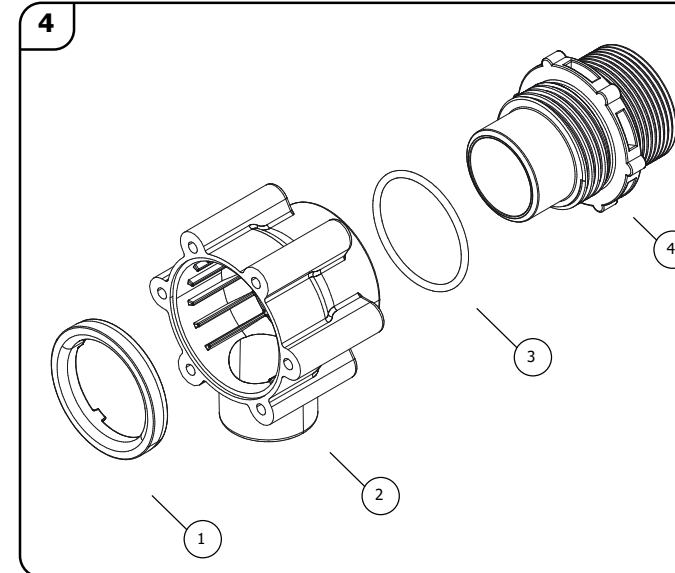
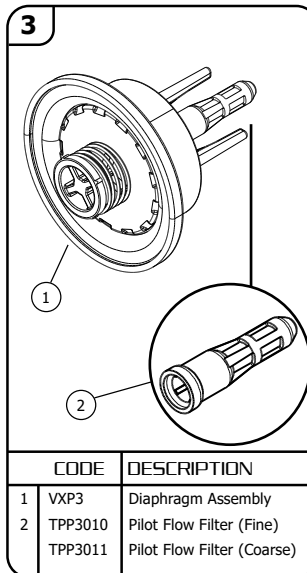
CODE	DESCRIPTION
1 VXPP1	Float Assembly
2 VXPP2	Cap & Actuator Assembly
3 VXP3	Diaphragm Assembly
4	Base Assembly



CODE	DESCRIPTION
1 VXPP1010	Bottom Stop
2 VXPP1020	Weighted Float
3 VXPP1030	Cord
4 VXPP1040	Arm Extension
5 VXPP1050	M5 x 12 Bolt



CODE	DESCRIPTION
1 VXPP2010	Actuator Cap
2 VXP2020	6g x 10 S/S Screw
3 VXP2030	Frost Pro Plug
4 VXP2040	Frost Pro O'ring
5 VXPP2050	Valve Cap Assembly
6 VXPP2060	Damping Spring
7 VXP2080	Bearings (set of two)
8 VXP2090	Actuator Arm
9 VXP2100	Bolt M6 x 65
10 VXP2110	Washer M6 x 12.5



CODE	DESCRIPTION
1 VXP4010	Vortex Retainer
2 VXP4020	Vortex Base
3 VXP4030	Vortex O'ring
4 VXP4040	Vortex Tail 32mm
VXP4045	Vortex Tail 40mm
VXP4050	Vortex Tail 50mm
VXP4055	Vortex Tail 1 1/4" NPT
VXP4060	Vortex Tail 1 1/2" NPT
VXP4065	Vortex Tail 2" NPT

600 L / MIN