

TOPAZ PARTFILL

PRODUCT INFO



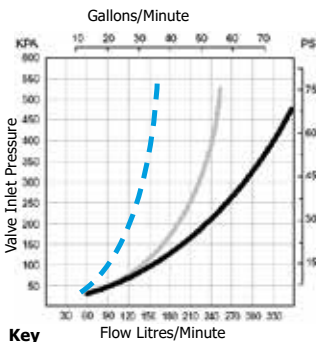
Description

Topaz Partfill is a high flow valve intended for use in rain water harvesting tanks. The purpose of the float valve is to automatically maintain a low level of water in the tank during periods of no or low rainfall. This allows services fed by the tank to continue while leaving capacity in the tank for refilling by the next rain.

Applications

- Maintaining water levels in:
- Rain water harvesting tanks
 - Water cisterns
 - Irrigation and process applications.

Flow Graph



- Key**
- 15mm (1/2")
 - 20mm (3/4")
 - 25mm & 32mm (1" & 1 1/4")

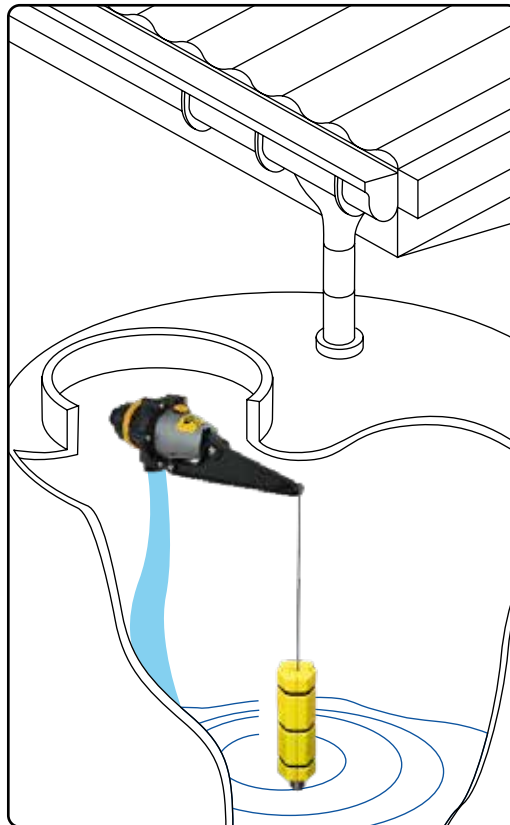
Features

- Ideal for use with all makes and models of rain water harvesting tanks
- Compact
- Constructed from non corroding materials
- Valve can be locked in off position using the lock off switch
- Up to 150mm differential obtainable (dependant on pressure)
- Detach Valve Seal Access System for quick access to valve seal (Patented)

Available Inlet Sizes

- 15mm (1/2")
- 20mm (3/4")
- 25mm (1")
- 32mm (1 1/4")

All supplied in long tail thread with back nut.



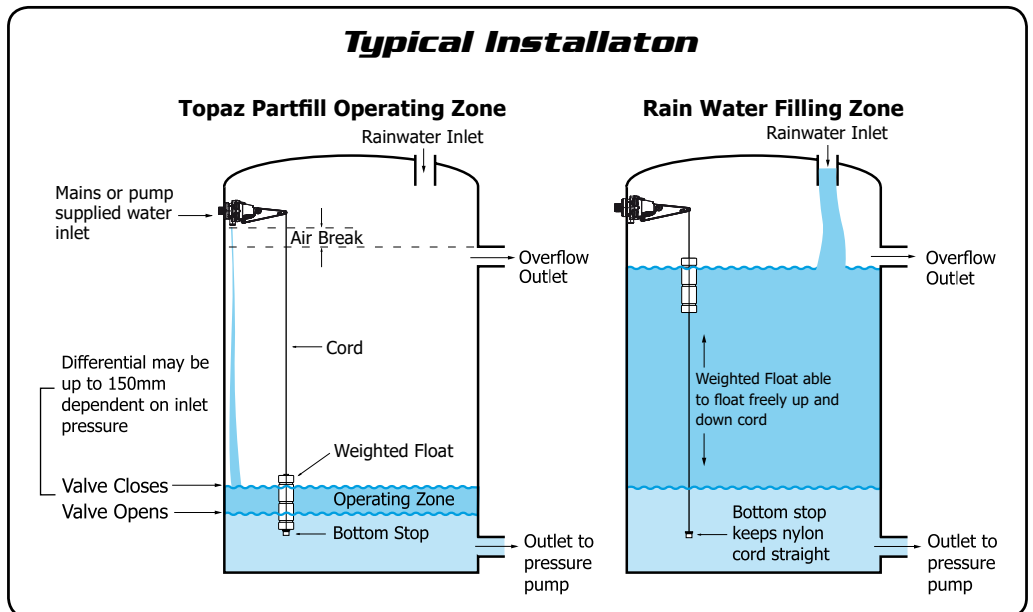
Principle of Operation

- The Valve is installed through the side wall of a storage tank. It should be mounted above the overflow level of the tank to prevent backflow.
- As the tank empties the weighted float travels down the cord and sits on the bottom stop to activate the valve.
- The valve will run until the weighted float lifts clear of the bottom stop.
- The float will then rise as rainwater fills the tank and falls as the tank water is used.
- The Valve will only function at times when rain fall is insufficient to maintain a water level in the tank above the bottom stop.

Pressure Range

0.3 Bar – 10 Bar (5 psi-150 psi)

Typical Installaton



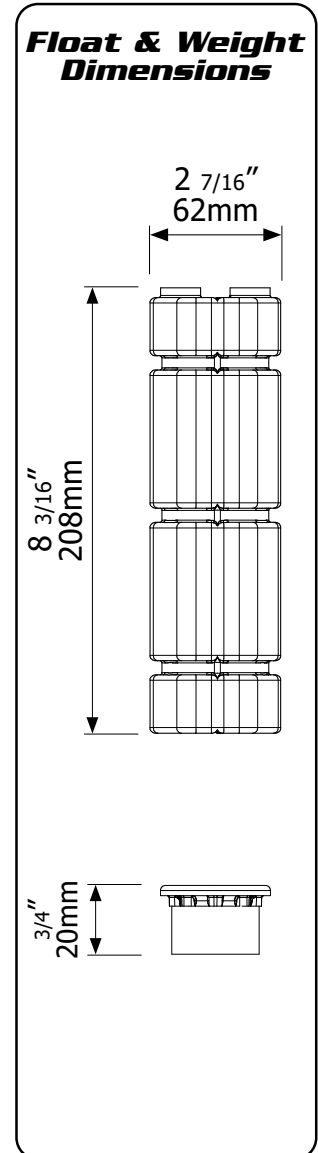
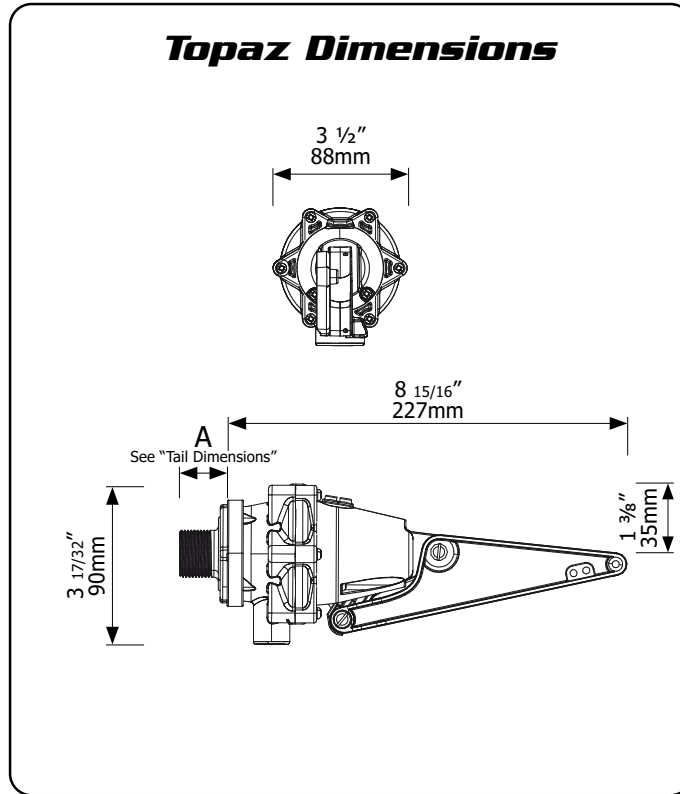
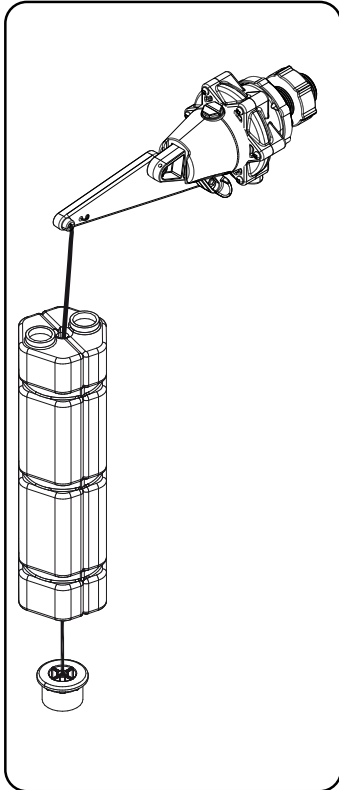
200 L / MIN

TOPAZ PARTFILL

DIMENSIONS & MATERIALS



200 L / MIN



Tail Dimensions

Dimension A	mm	inches
15mm (1/2") Long Tail	100	3 15/16
20mm (3/4") Long Tail	46	1 13/16
25mm (1") Long Tail	62	2 7/16
32mm (1 1/4") Long Tail	67	2 21/32

Part	Material	Part	Material
Valve Body	Glass Filled Nylon	Springs, Bolts, Nuts, Pin, Screws	304 Stainless Steel
Yellow & White Internal Parts	Acetal	O'Rings	Nitrile
Filter	PP/Nylon	Float	HDPE
Diaphragm	EPDM	Float Cord	Polyester
Seal	TPU		

Maximum Operating Temperature

60°C, 140°F

NB: High Temperature models on request.

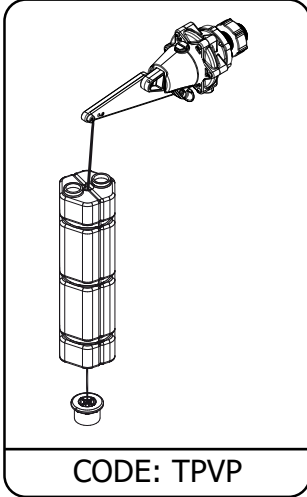
TOPAZ PARTFILL

PARTS IDENTIFICATION SHEET



Intertek
5002993
Conforms to NSF/ANSI STD 372

TOPAZ Partfill



CODE	DESCRIPTION
1	TPPP1 Float, Arm & Stop Assembly
2	TPPP2 Cap & Actuator Assembly
3	TPP3 Diaphragm Assembly
4	Detach Base Assembly

1

CODE	DESCRIPTION
1	TPPP010 Bottom Stop
2	TPPP020 Weighted Float
3	TPPP1020 Cord
4	TPPP1050 Arm Extension
5	TPP1040 M5 x 12 Bolt

2

CODE	DESCRIPTION
1	TPPP2011 Actuator Cap
2	TPP2020 6g x 10 S/S Screw
3	TPP2030 Frost Pro Plug
4	TPP2040 Frost Pro O'ring
5	TPP2050 Valve Cap Assembly
6	TPPD2061 Damping Spring
7	TPP2080 Bearings (set of two)
8	TPP2090 Actuator Arm
9	TPP2100 6g x 25 S/S Screw

3

CODE	DESCRIPTION
1	TPP3 Diaphragm Assembly
2	TPP3010 Pilot Flow Filter (Fine) TPP3011 Pilot Flow Filter (Coarse)

4

CODE	DESCRIPTION
1	DTP1 Detach Base
2	BSP Tails
	Short Tail Assembly (BSP)
DTP020	Detach Tail 20mm(3/4") Short
DTP025	Detach Tail 25mm(1") Short
DTP032	Detach Tail 32mm(1 1/4") Short
	Long Tail Assembly (BSP)
DTP015L	Detach Tail 15mm (1/2") Long
DTP020L	Detach Tail 20mm (3/4") Long
DTP025L	Detach Tail 25mm (1" bsp) Long
DTP032L	Detach Tail 32mm (1 1/4" bsp) Long
	NPT Tails
	Short Tail Assembly (NPT)
DTP0075	Detach Tail 3/4" npt
DTP0100	Detach Tail 1" npt
DTP0125	Detach Tail 1 1/4" npt
	Long Tail Assembly (NPT)
DTP0050L	Detach Tail 1/2" npt Long
DTP0075L	Detach Tail 3/4" npt Long
DTP0100L	Detach Tail 1" npt Long
DTP0125L	Detach Tail 1 1/4" npt Long

NB: All Long Tail Assemblies are supplied with a Seal Washer and Backnut included

200 L / MIN