

TOPAZ COMPACT VALVE

PRODUCT INFO



Intertek
5002993
Conforms to NSF/ANSI STD 372



Description

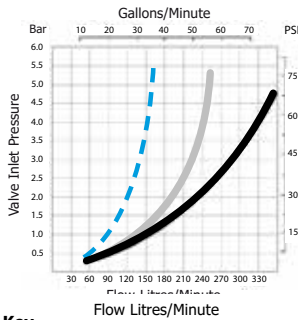
Topaz compact float valves are float operated valves for use in the automatic filling of water troughs, tanks & cisterns where space is limited. The valve is configured for above water mounting only. The compact weighted float operates a small pilot valve which in turn operates the main diaphragm valve. Topaz Compact float valves are positive on/off and are ideal when working with pump supplied water in a small compartment.

Applications

Maintaining Water Levels in:

- Animal Drinking Troughs
- Water Storage Tanks
- Water Cisterns
- Air Conditioning Systems
- High Pressure Cleaning Systems
- Irrigation Applications

Flow Graph



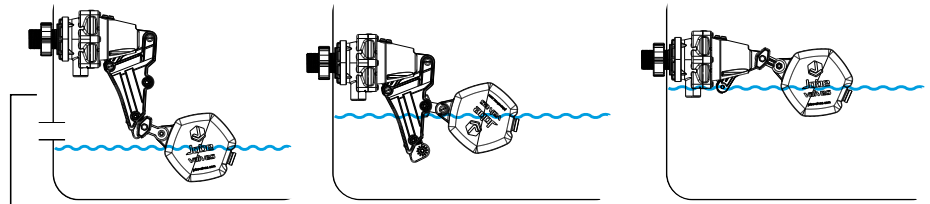
Key

- 15mm (1/2")
- 20mm (3/4")
- 25mm & 32mm (1" & 1 1/4")

Features

- Compact Weighted Float
- High flow
- Compact robust construction
- Made from corrosion resistant materials
- Shuts down slowly to minimise water hammer
- 20 - 60mm (3/4" - 2 1/2") water level differential (increases as water inlet pressure increases)
- Pressure rating 0.3 - 10 Bar (5 - 150 PSI)
- Float position easily adjustable with no tools
- Valve has switch to lock it in off position
- Has port to connect Frostpro anti freeze device
- Detach™ Valve Seal Access System for quick access to valve seal

Mounting Positions



Two inlet diameters above overflow to avoid back siphoning

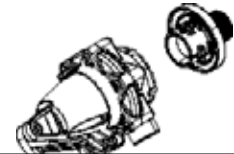
N.B. Some mounting positions may not comply with local regulations

Options

	BSP				NPT			
	1/2"	3/4"	1"	1 1/4"	1/2"	3/4"	1"	1 1/4"
Inlet Size								
Detach Base Short Tail		✓	✓	✓		✓	✓	✓
Detach Base Long Tail	✓	✓	✓	✓	✓	✓	✓	✓



Specifies this Thread size



Detach

Long Tail: Supplied with backnut and seal washer.



Compact Float

Floats: 55mm wide float supplied standard.
N.B. (No other float is compatible with this valve)



55mm

TOPAZ TROUGH VALVE SPECIFICATION

PRODUCT	CODE	INLET SIZE	CODE		OPTIONS	CODE
			BSP	NPT		
Topaz Compact Float Valve	TPVC	1/2"	15	0050	Detach Base	D
			20	0075	Long Tail Thread	LT
			25	0100		
			32	0125		

NOTE: If no options are specified the standard ones will be supplied

Note: Product may differ slightly from these specs due to ongoing product development.

200 L / MIN

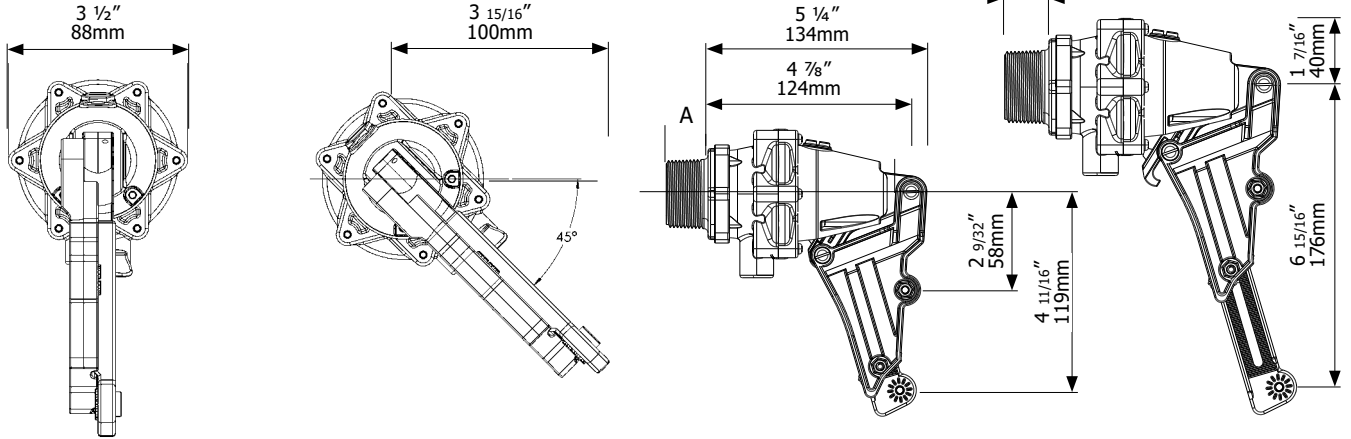
TOPAZ COMPACT VALVE

DIMENSIONS & MATERIALS

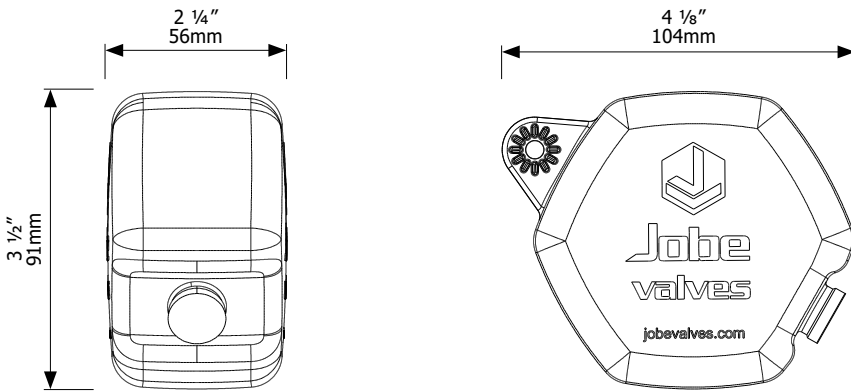


200 L / MIN

Topaz Dimensions



Float Dimensions



Tail Dimensions

Dimension A	mm	inches
20mm (3/4") Short tail	22	7/8
25mm (1") bsp/npt short tail	22	7/8
32mm (1 1/4") bsp/npt short tail	25	1
15mm (1/2") long tail	100	4
20mm (3/4") long tail	38	1 1/2
25mm (1") bsp/npt long tail	54	2 1/8
32mm (1 1/4") bsp/npt long tail	60	2 3/8

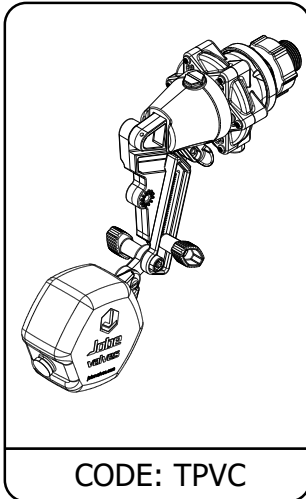
Part	Material	Part	Material
Valve Body & Tail	Glass Filled Nylon	Springs, Bolts, Nuts, Pin, Screws	304 Stainless Steel
White & Yellow Internal Parts	Acetal	O'Rings	Nitrile
Filter	PP/Nylon	Float	HDPE
Diaphragm	EPDM	Actuator / Arms & Caps	ABS
Seal	TPU		
Float Cord	Polyester		

Maximum Operating Temperature

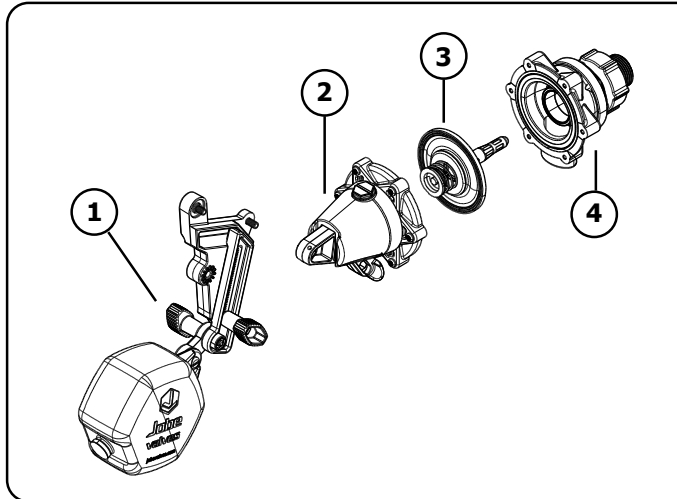
60°C, 140°F

TOPAZ COMPACT FLOAT VALVE

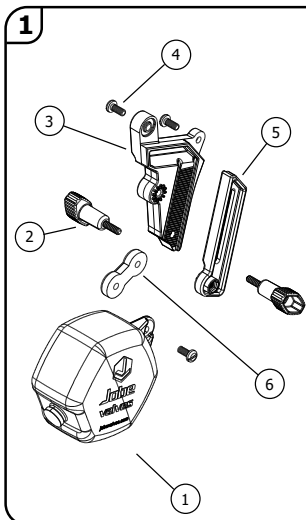
PARTS IDENTIFICATION SHEET



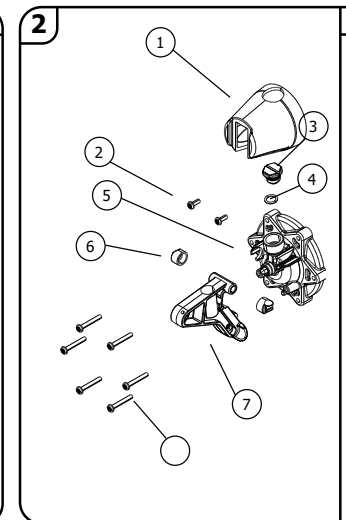
CODE: TPVC



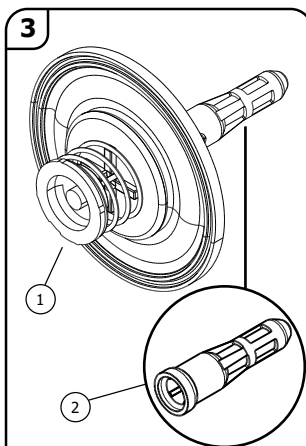
CODE	DESCRIPTION
1	Float Assembly
2	TPPC2 Cap & Actuator Assembly
3	TPP3 Diaphragm Assembly
4	Detach Base Assembly



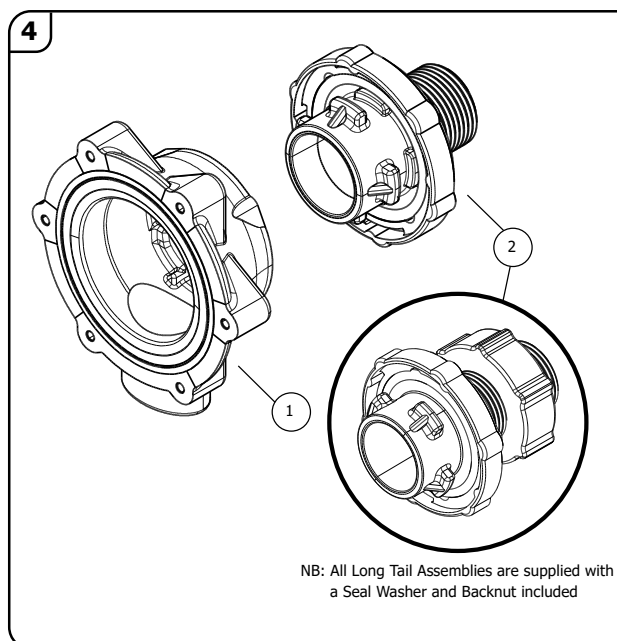
CODE	DESCRIPTION
1	TPPC1055 55mm Compact Float
2	TPP1020 Wing Bolt
3	TPP1030 Extension Arm
4	TPP1040 Bolt M5 x 12 Pan Slot
5	TPP1050 Extension Slide
6	TPPC1065 25mm Extension Arm



CODE	DESCRIPTION
1	TPPC2011 Actuator Cap
2	TPP2020 6g x 10 S/S Screw
3	TPP2030 Frost Pro Plug
4	TPP2040 Frost Pro O'ring
5	TPP2050 Valve Cap Assembly
6	TPP2080 Bearings (set of two)
7	TPP2090 Actuator Arm
8	TPP2100 6g x 25 S/S Screw



CODE	DESCRIPTION
1	TPP3 Diaphragm Assembly
2	TPP3010 Pilot Flow Filter (Fine)
	TPP3011 Pilot Flow Filter (Coarse)



CODE	DESCRIPTION
1	DTP1 Detach Base
2	BSP Tails
	Short Tail Assembly (BSP)
DTP020	Detach Tail 20mm(3/4") Short
DTP025	Detach Tail 25mm(1") Short
DTP032	Detach Tail 32mm(1 1/4") Short
	Long Tail Assembly (BSP)
DTP015L	Detach Tail 15mm (1/2") Long
DTP020L	Detach Tail 20mm (3/4") Long
DTP025L	Detach Tail 25mm (1" bsp) Long
DTP032L	Detach Tail 32mm (1 1/4" bsp) Long
	NPT Tails
	Short Tail Assembly (NPT)
DTP0075	Detach Tail 3/4" npt
DTP0100	Detach Tail 1" npt
DTP0125	Detach Tail 1 1/4" npt
	Long Tail Assembly (NPT)
DTP0050L	Detach Tail 1/2" npt Long
DTP0075L	Detach Tail 3/4" npt Long
DTP0100L	Detach Tail 1" npt Long
DTP0125L	Detach Tail 1 1/4" npt Long

NB: All Long Tail Assemblies are supplied with a Seal Washer and Backnut included

200 L / MIN